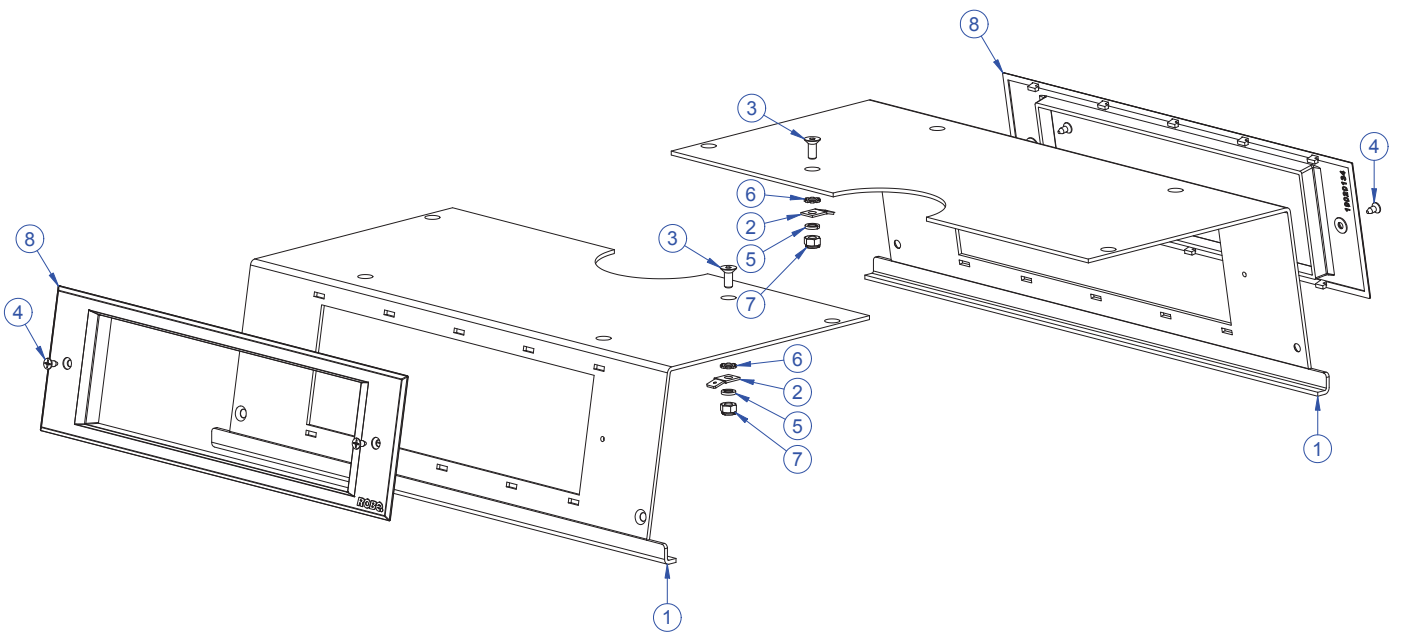
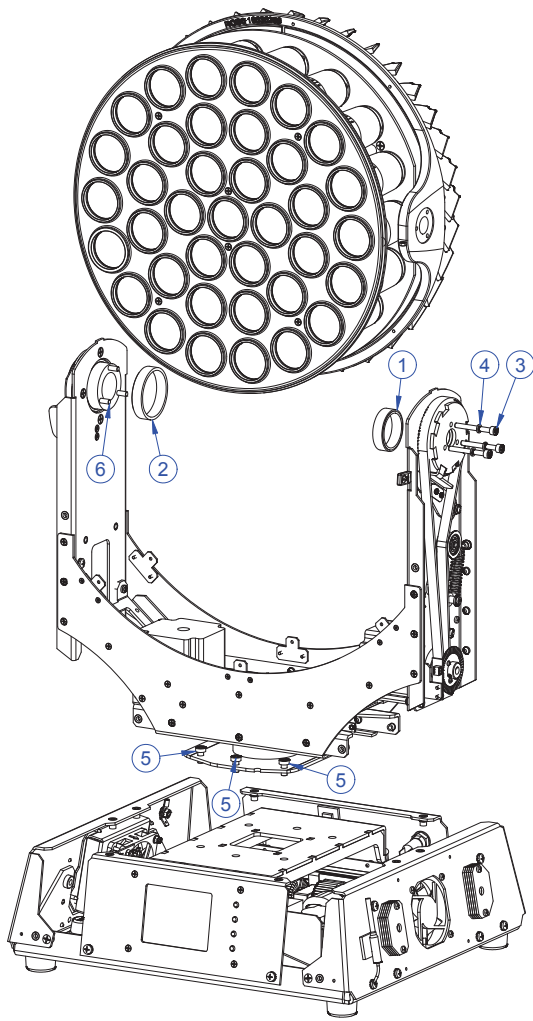


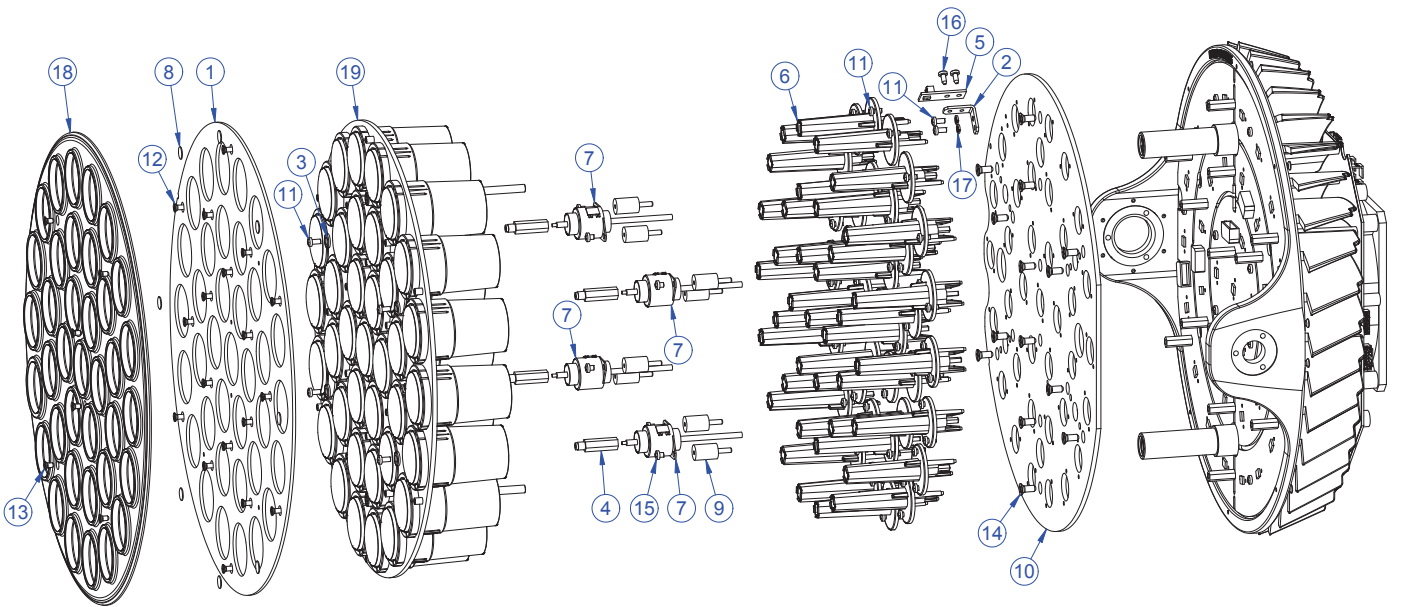
PRODUCT: Robin 1000 LEDBeam		
TITLE: Covers		
DOCUMENT: 99014034		
VERSION: 1	DATE: 18.08.2014	SHEET: 01 OF 17



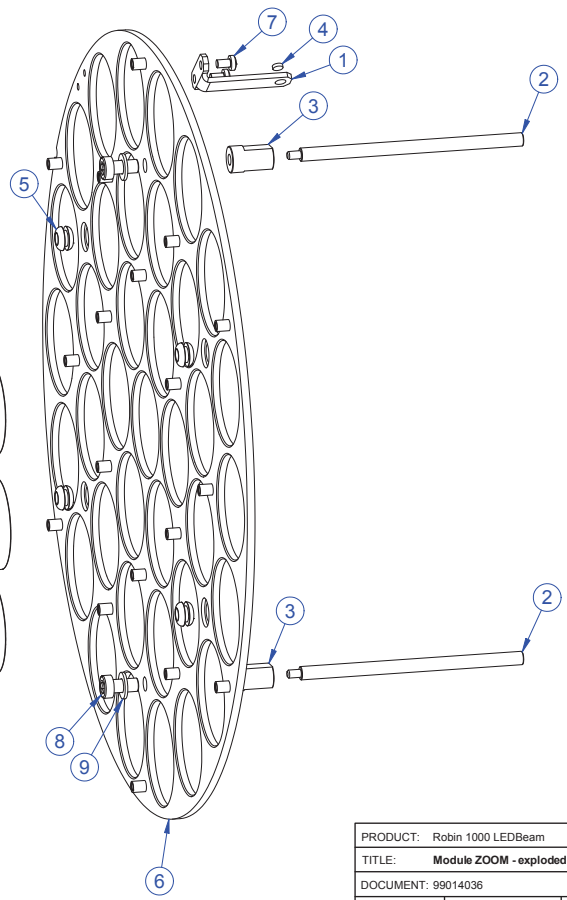
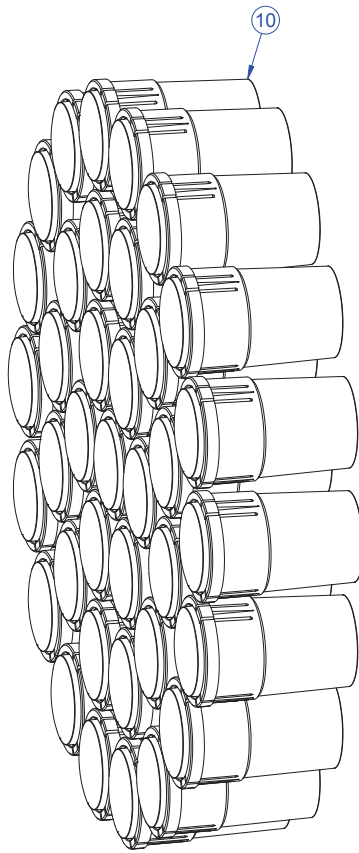
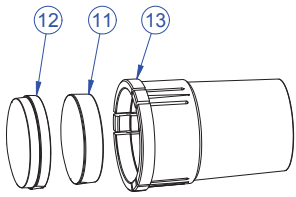
PRODUCT: Robin 1000 LEDBeam		
TITLE: Covers of base		
DOCUMENT: 99014035		
VERSION: 1	DATE: 18.08.2014	SHEET: 02 OF 17



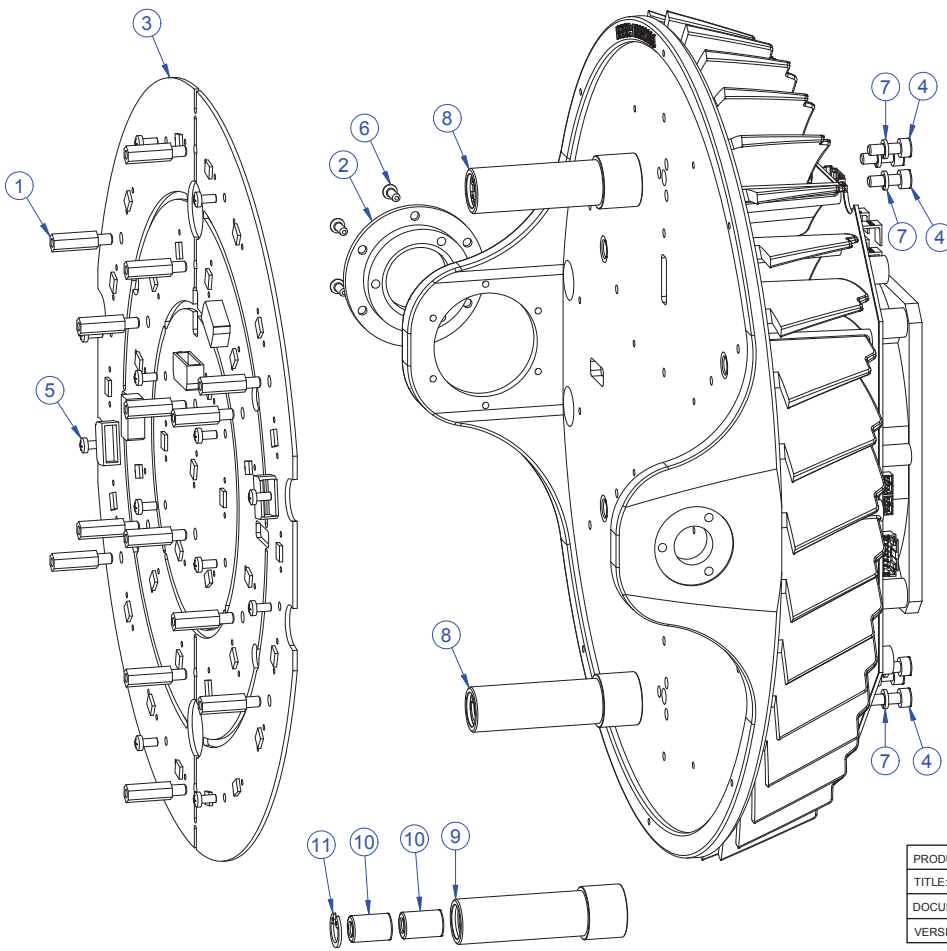
PRODUCT: Robin 1000 LEDBeam		
TITLE: Gripping of head / arm		
DOCUMENT: 99014034		
VERSION: 1	DATE: 18.08.2014	SHEET: 03 OF 17



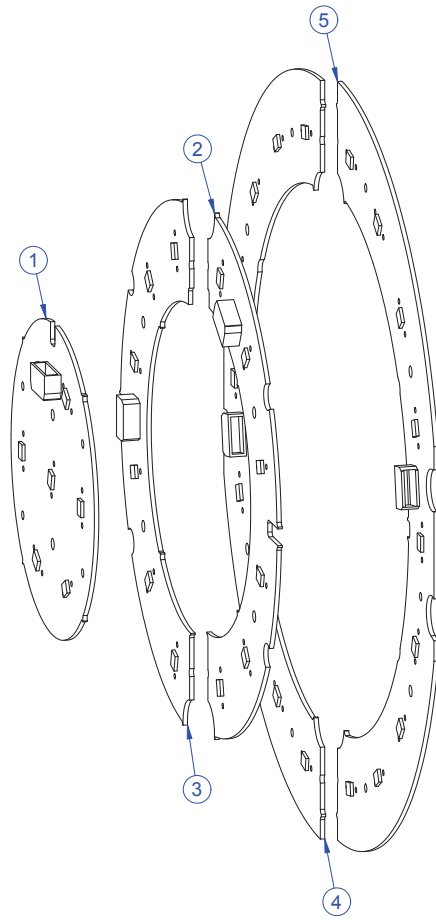
PRODUCT: Robin 1000 LEDBeam		
TITLE: Front module of head		
DOCUMENT: 99014036		
VERSION: 1	DATE: 18.08.2014	SHEET: 04 OF 17



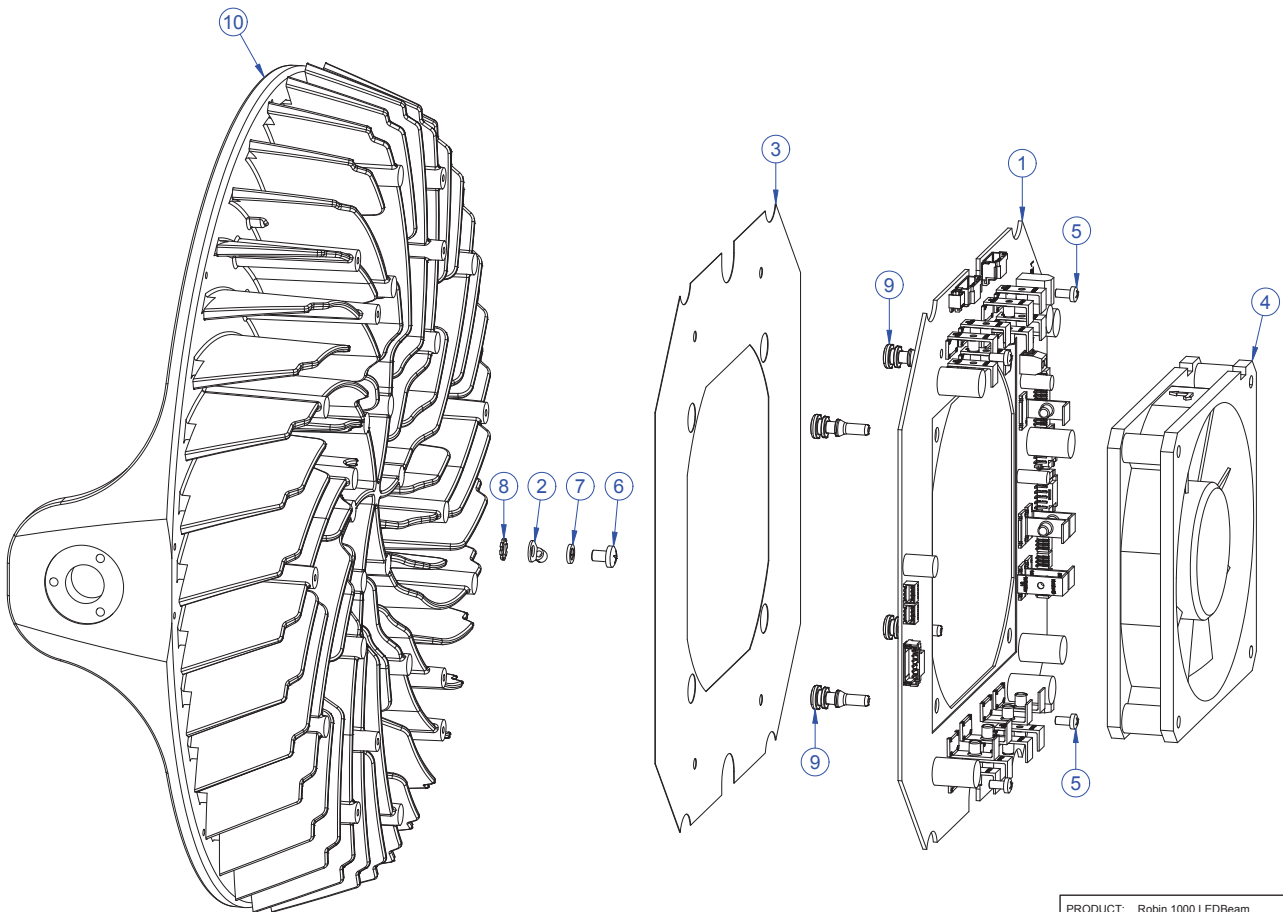
PRODUCT: Robin 1000 LEDBeam		
TITLE: Module ZOOM - exploded		
DOCUMENT: 99014036		
VERSION: 1	DATE: 18.08.2014	SHEET: 05 OF 17



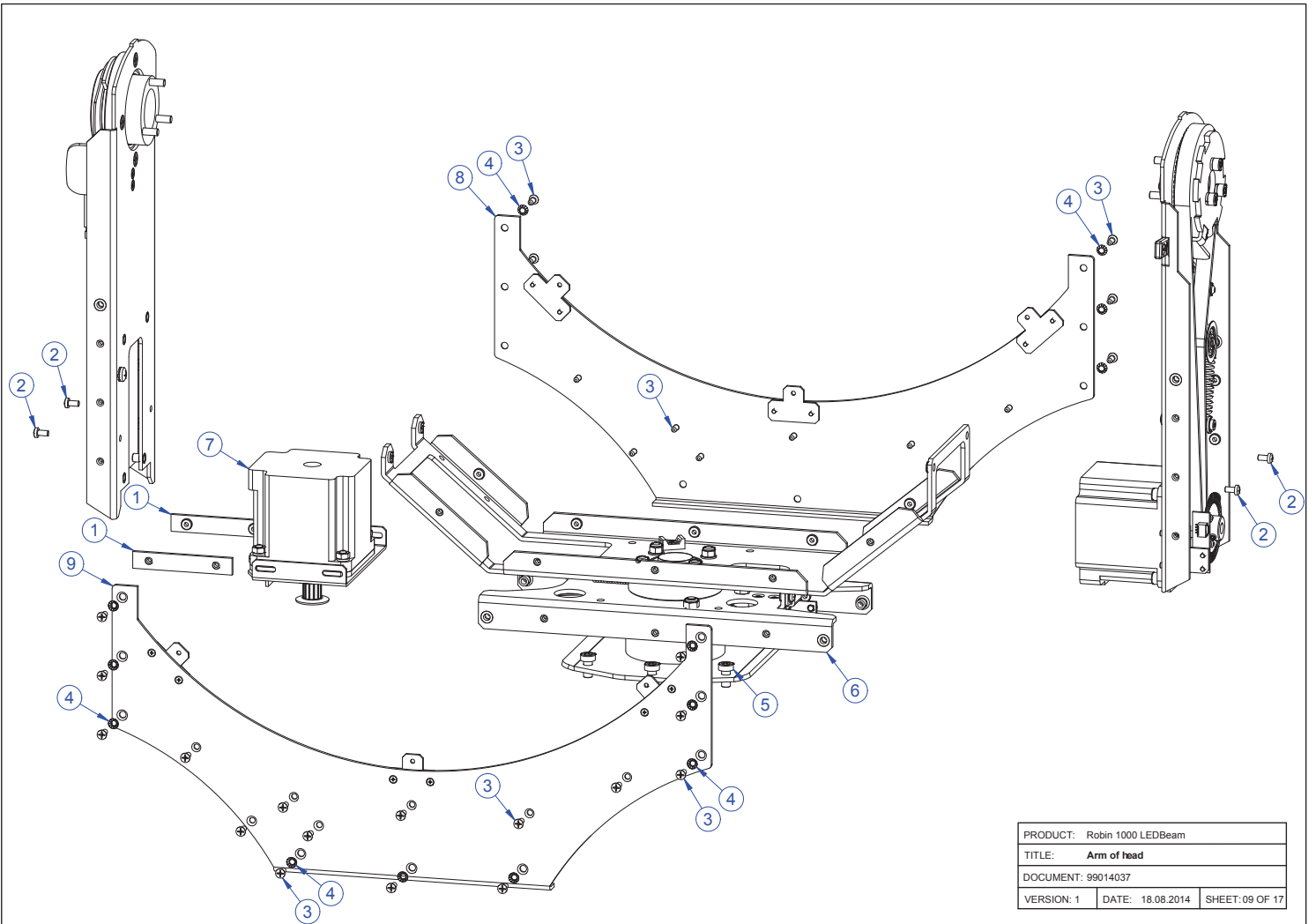
PRODUCT: Robin 1000 LEDBeam		
TITLE: Gripping of PCB		
DOCUMENT: 99014036		
VERSION: 1	DATE: 18.08.2014	SHEET: 06 OF 17



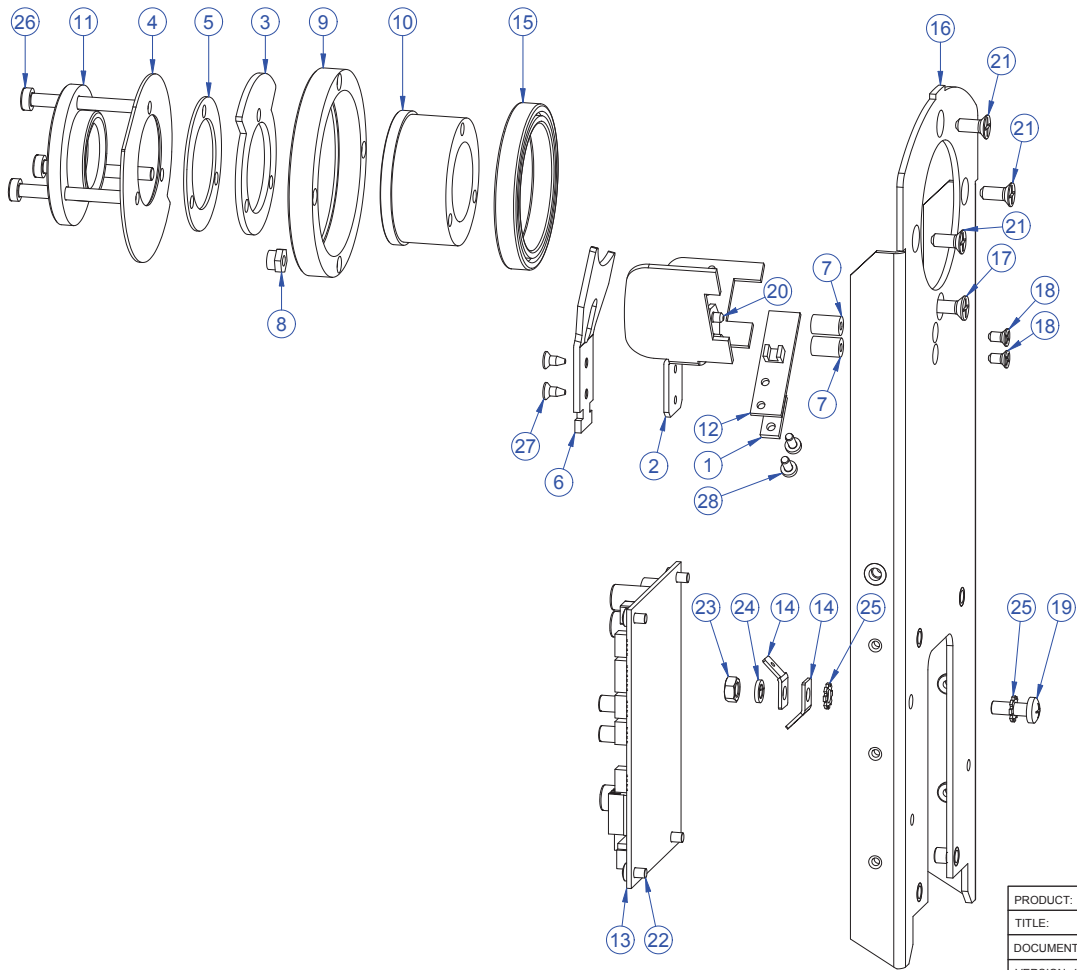
PRODUCT: Robin 1000 LEDBeam		
TITLE: PCB RB8150 - exploded		
DOCUMENT: 99014036		
VERSION: 1	DATE: 18.08.2014	SHEET: 07 OF 17



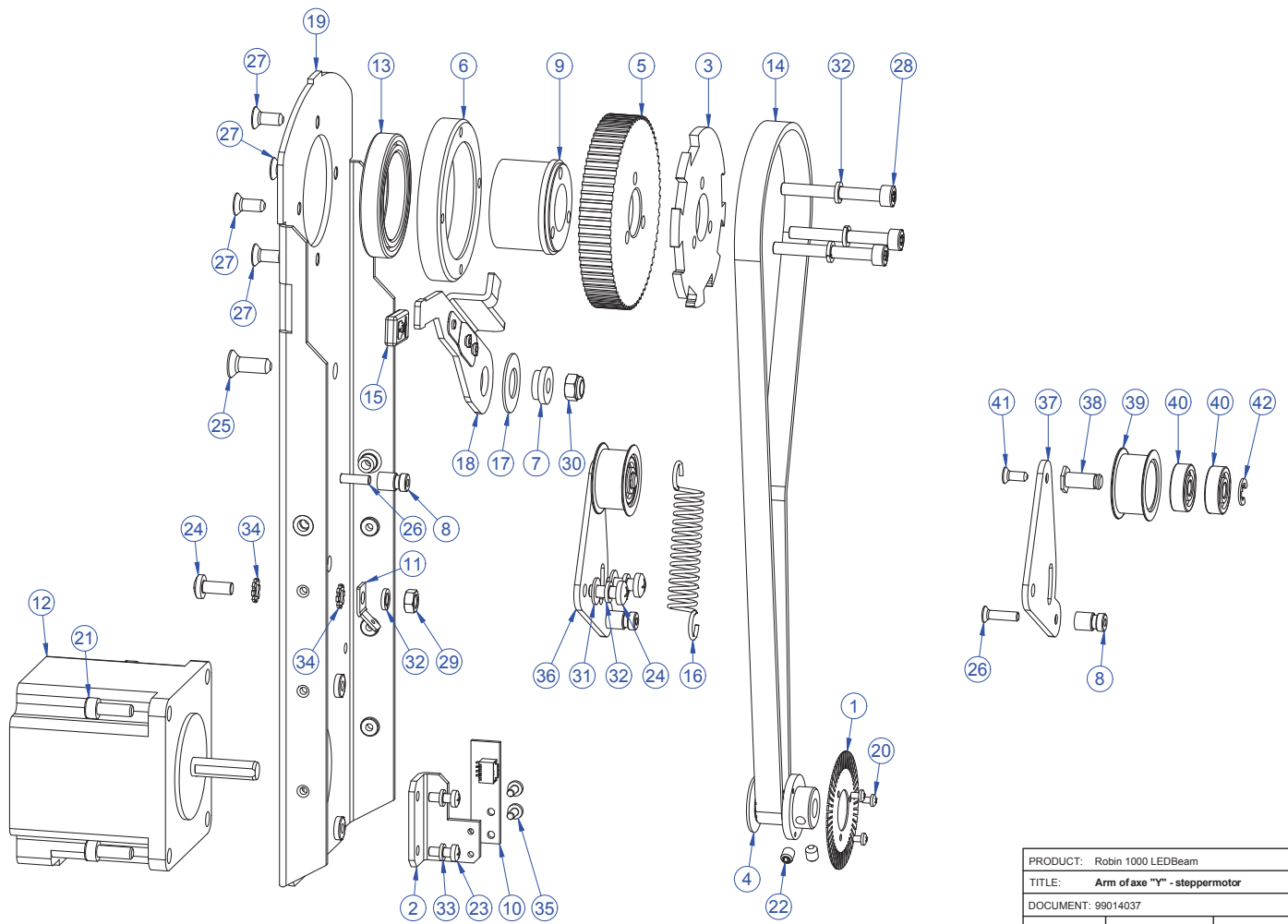
PRODUCT: Robin 1000 LEDBeam		
TITLE: Rear module of head		
DOCUMENT: 99014036		
VERSION: 1	DATE: 18.08.2014	SHEET: 08 OF 17



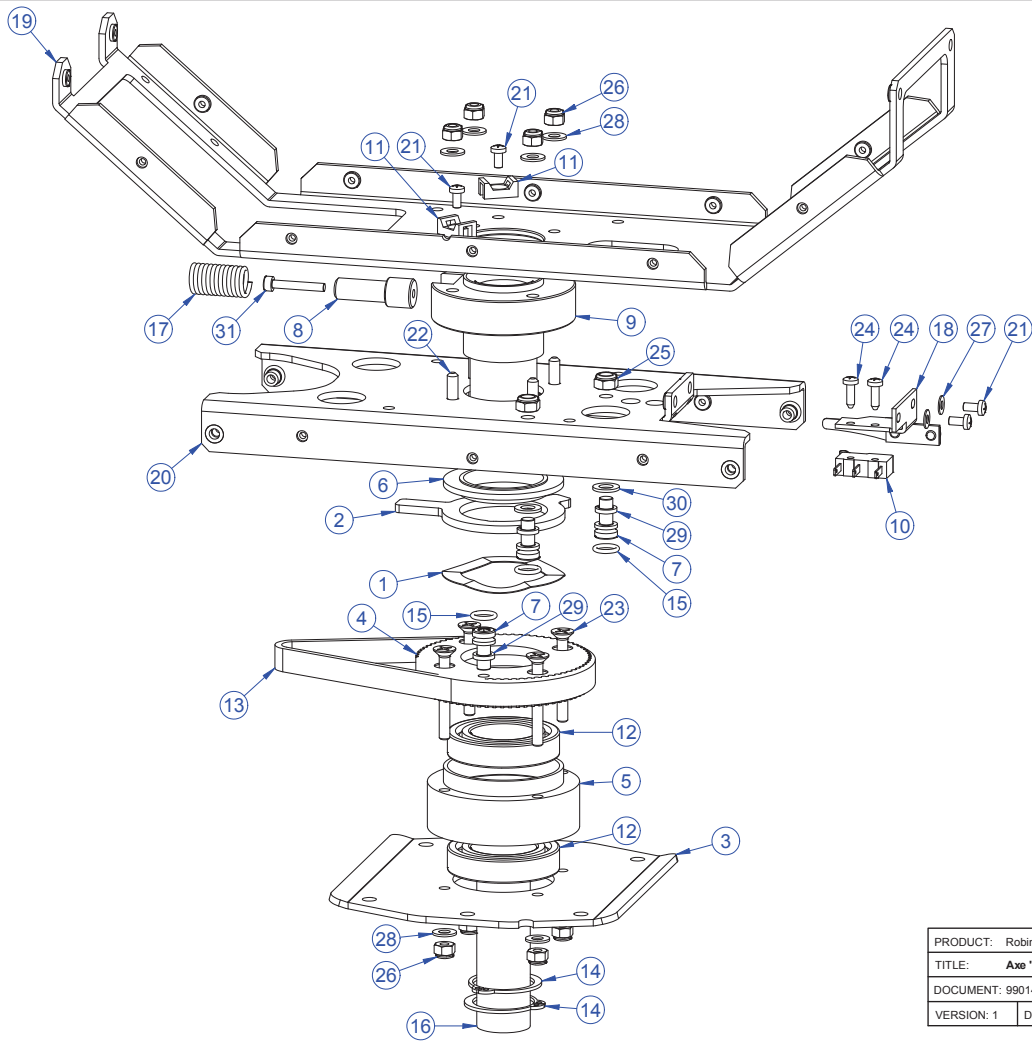
PRODUCT: Robin 1000 LEDBeam		
TITLE: Arm of head		
DOCUMENT: 99014037		
VERSION: 1	DATE: 18.08.2014	SHEET: 09 OF 17



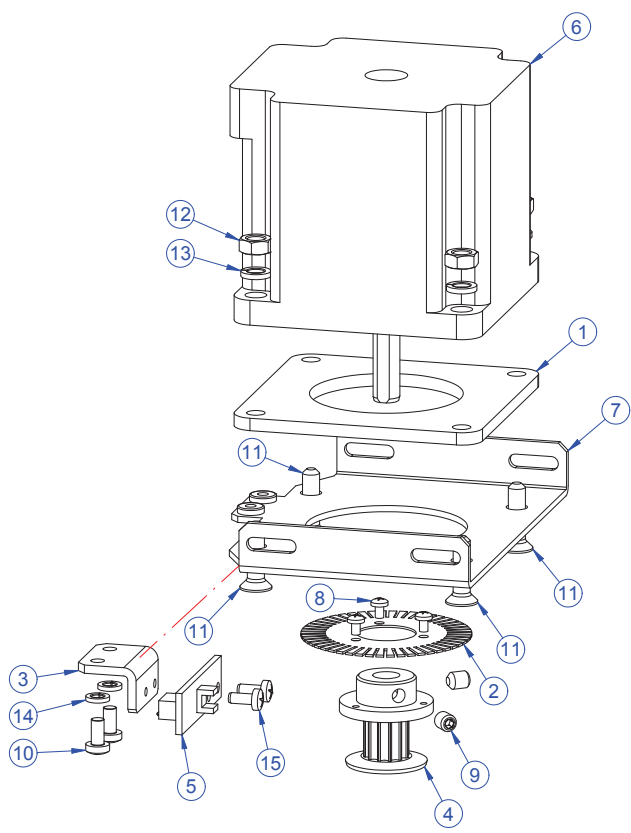
PRODUCT: Robin 1000 LEDBeam		
TITLE: Arm of axe "Y" - PCB		
DOCUMENT: 99014037		
VERSION: 1	DATE: 18.08.2014	SHEET: 10 OF 17



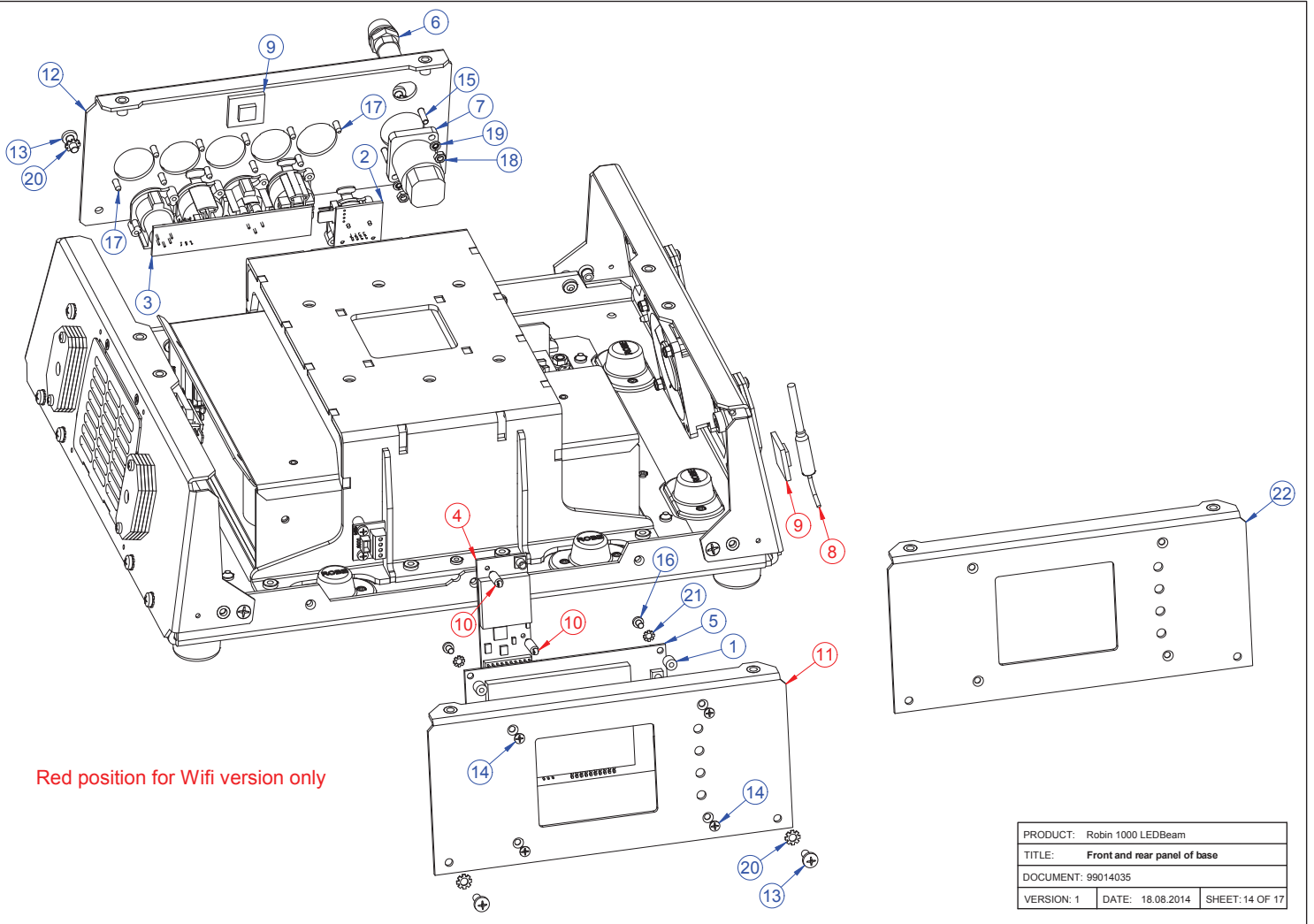
PRODUCT: Robin 1000 LEDBeam		
TITLE: Arm of axe "Y" - stepper motor		
DOCUMENT: 99014037		
VERSION: 1	DATE: 18.08.2014	SHEET: 11 OF 17

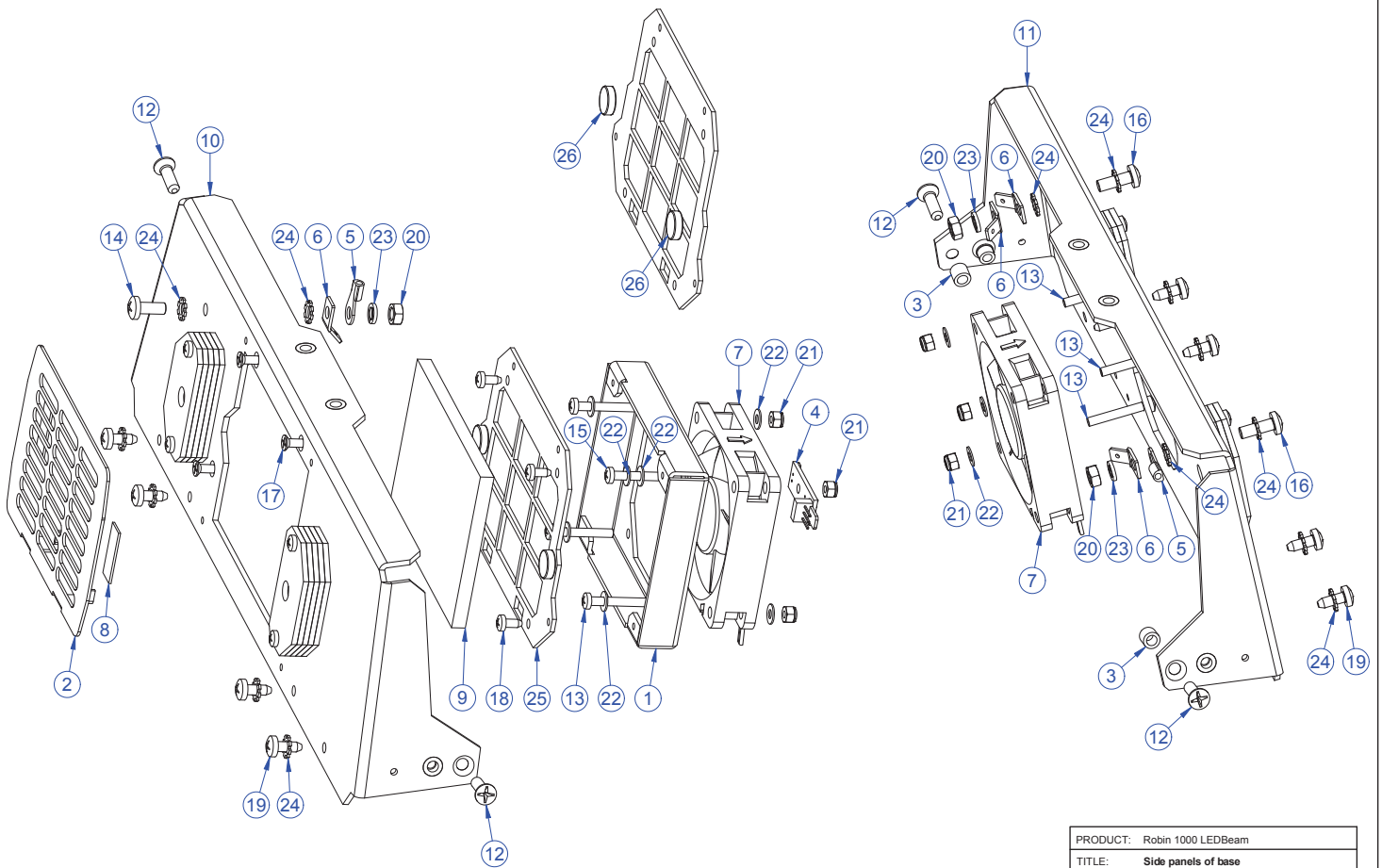


PRODUCT: Robin 1000 LEDBeam		
TITLE: Axe "X"		
DOCUMENT: 99014037		
VERSION: 1	DATE: 18.08.2014	SHEET: 12 OF 17

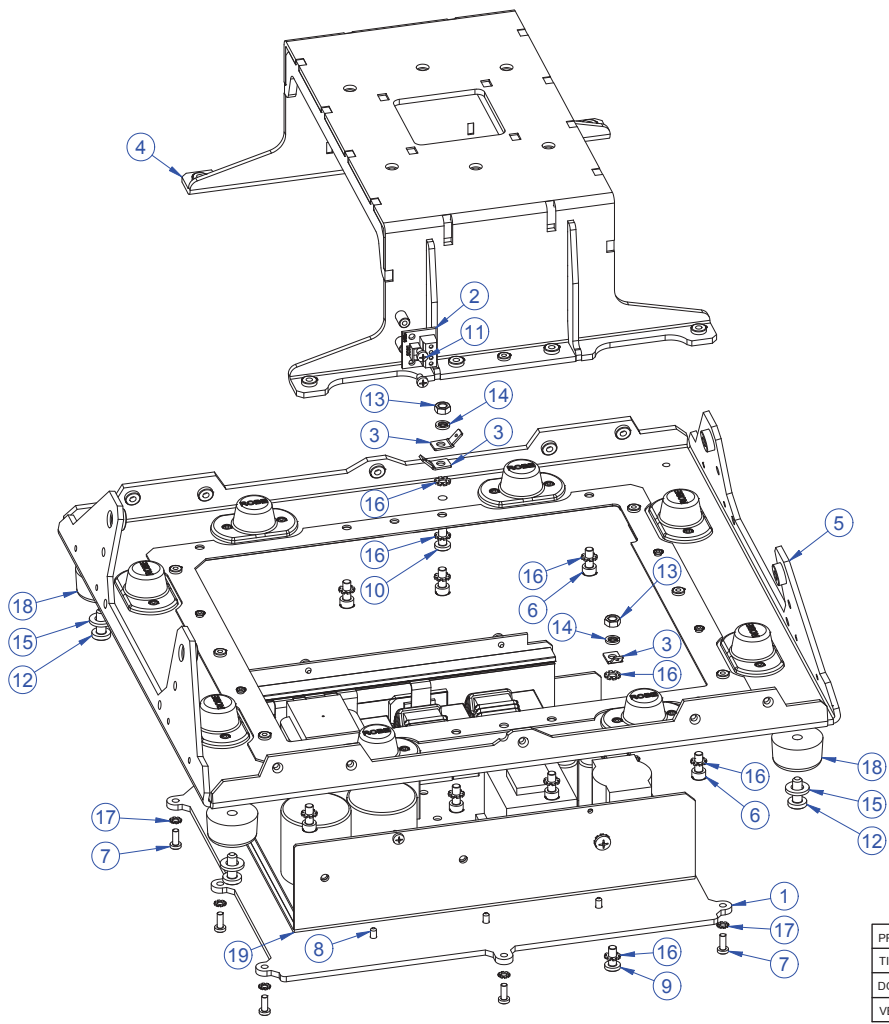


PRODUCT: Robin 1000 LEDBeam		
TITLE: Module of steppermotor - axe "X"		
DOCUMENT: 99014116		
VERSION: 1	DATE: 18.08.2014	SHEET: 13 OF 17

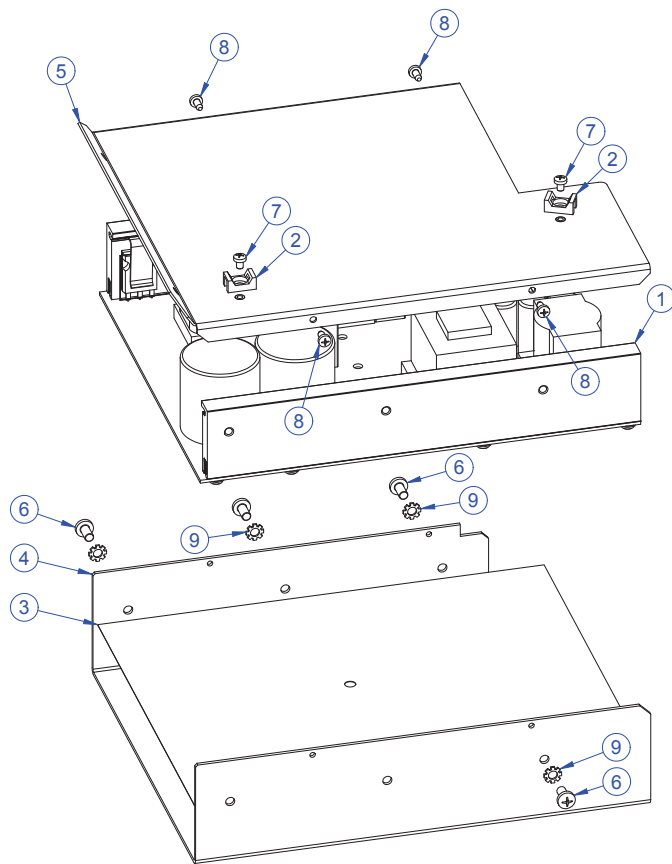




PRODUCT: Robin 1000 LEDBeam		
TITLE: Side panels of base		
DOCUMENT: 99014035		
VERSION: 1	DATE: 18.08.2014	SHEET: 15 OF 17



PRODUCT: Robin 1000 LEDBeam		
TITLE: Base		
DOCUMENT: 99014035		
VERSION: 1	DATE: 18.08.2014	SHEET: 16 OF 17



PRODUCT: Robin 1000 LEDBeam		
TITLE: Module of power supply		
DOCUMENT: 99014035		
VERSION: 1	DATE: 18.08.2014	SHEET: 17 OF 17